



600872 (T15E)

15 kg stainless steel Vegetable Peeler with flat control panel. NO Plate

Main Features

- Magnetic detectors will stop the machine from operating when the lid and/or door are opened.
- Suitable for 80-300 meals per service.
- Peels are reduced to small pieces to facilitate drainage process.
- Pulse function to control the unloading operation.
- Removable water inlet, clipped to the cover, designed to serve as a spray to clean the machine.
- Timer with countdown display.
- Transparent lid in damage-resistant plastic material allows visibility during peeling cycle.

Construction

- Complete stainless steel construction.
- IP55 waterproof touch button control panel.
- Transparent BPA free cover incorporates a magnetic safety system which stops the machine if lid is not properly closed.



Optional Accessories

PNC Code	Description
Baskets	
653209	Drying basket for T15
Plates	
653058	Brushing plate for T10 or T15 (not for models with abrasive cylinder)
653184	Abrasive plate for small onions, shallots and garlic T10 or T15, 388 mm diam.(not for models with abrasive cylinder)
653204	Knife plate for 10 and 15 kg vegetable peelers (not for models with abrasive cylinder)
Trolleys/tables	
653783	Filter table with sliding shelf, pre-assembled
653784	Filter table with sliding shelf

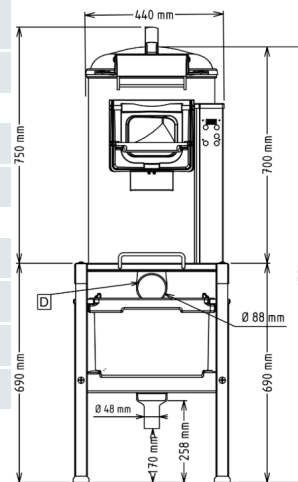


Technical specifications

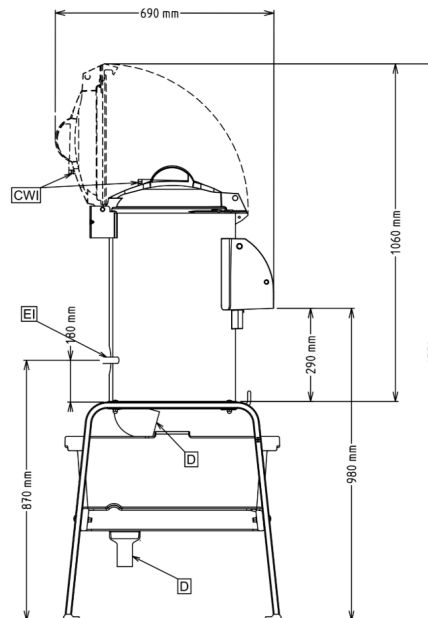
Electric

Supply voltage:	200-240/380-440 V/3 ph/50/60 Hz
Electrical power max.:	0.37 kW
Capacity:	
Performance (up to):	240 kg/hour
Capacity:	15 liters
Key Information:	
External dimensions, Width:	440 mm
External dimensions, Depth:	690 mm
External dimensions, Height:	750 mm
Shipping weight (gross):	43 kg

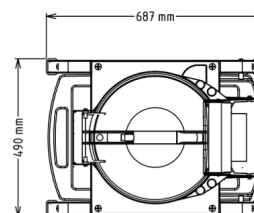
Front



Side



Top



CWI1 = Cold Water inlet 1 (cleaning)

D = Drain

EI = Electrical inlet (power)



Find out more:
ISO Certificates
Electrolux Professional Recognitions

The company reserves the right to make modifications to the products without prior notice. All information correct at time of printing.

2026/05/11

3/3